



Features

- 25+ artisan finishes including 12 PVD finishes
- All brass construction
- 15 gpm (56.8 L/min) tub filler max flow rate at 60 psi
- 2.0 gpm (7.6 L/min) or 1.8 gpm (6.8 L/min) handshower max flow rate
- Handshower bracket may be placed on COLD or HOT side of body
- 1/4 turn ceramic disc cartridge(s)

Codes/Standards Applicable

Product meets or exceeds the following:

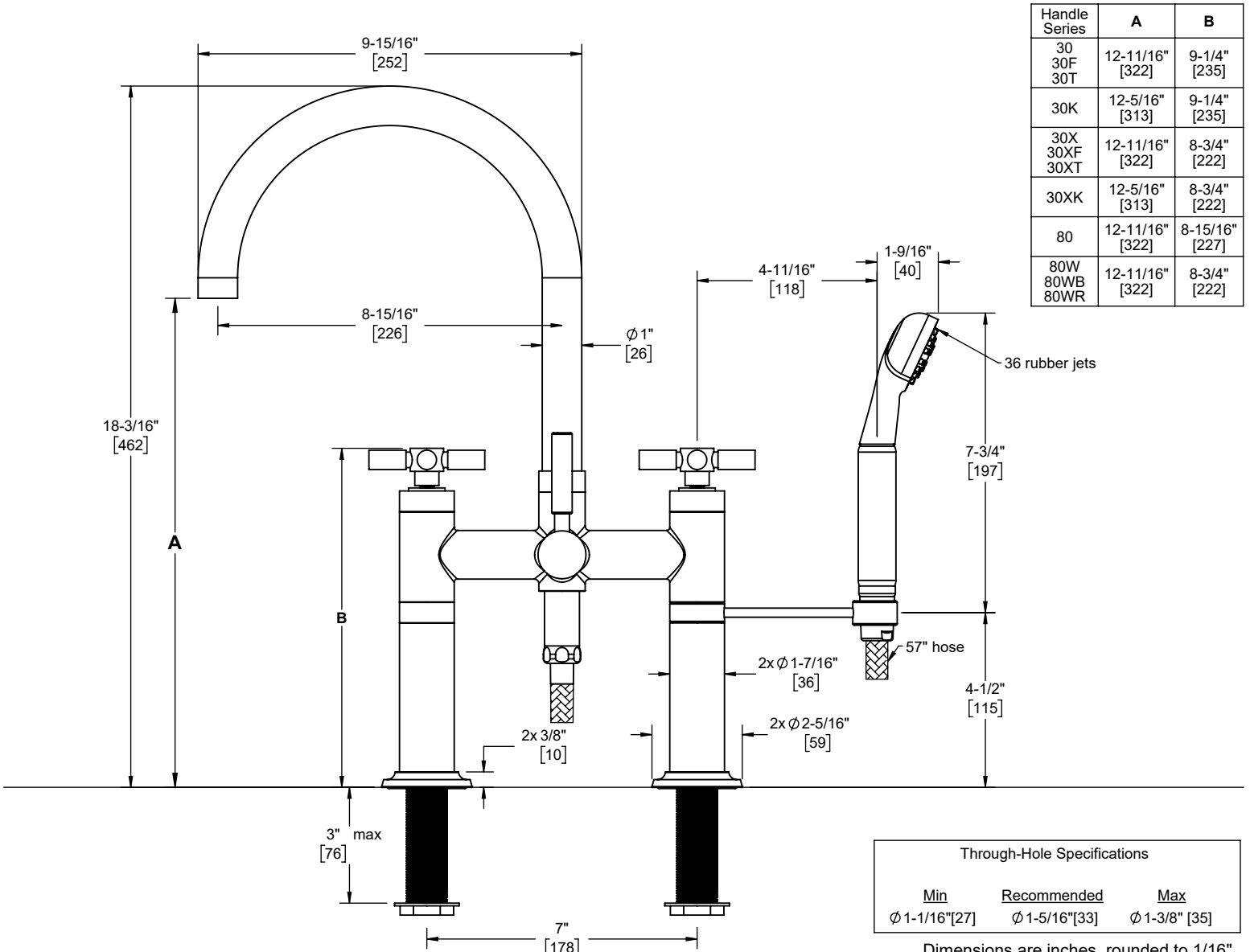
- ASME A112.18.1/CSA B125.1
- CEC (1.8 gpm) / DOE (2.0 & 1.8 gpm)
- EPA WaterSense handshower (2.0 gpm)
- Commonwealth of MA
- ADA compliant (lever handles only)
- Local codes may require installation of an upstream tempering valve

1008-XX.20
1008-XX.18



1008-30X.FR shown

XX denotes handle series



Specifications subject to change without notice

Dimensions are inches, rounded to 1/16"
[Dimensions in brackets are mm, rounded to 1mm]